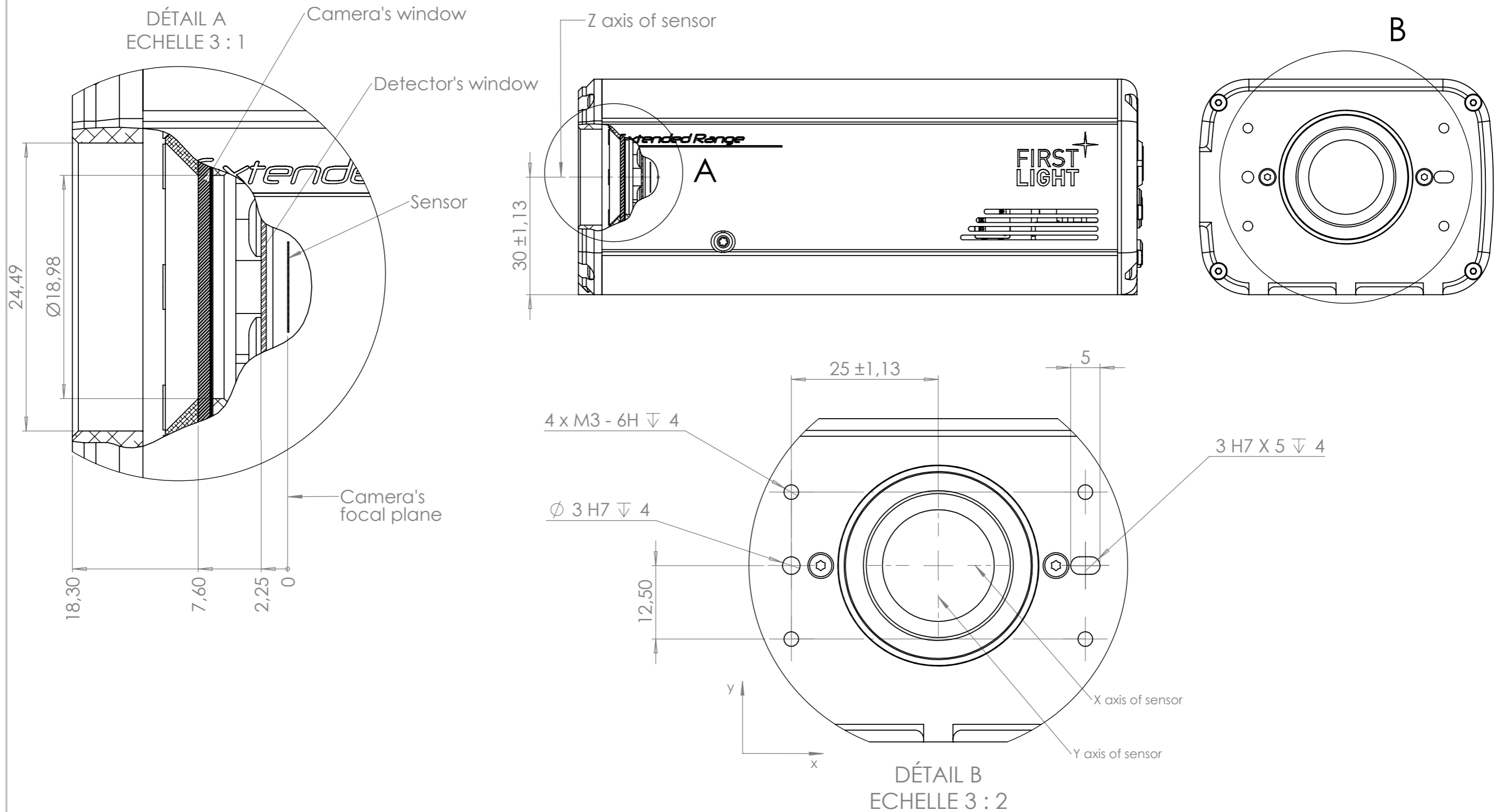


A	Création			FCL	2020-10-07
Indice	Modification			Modifié	Approuvé
Drawn :	Tolérances :	Surface finish	Project:	C-RED 2	
FCL	ISO-fh2768	$\nabla$ Ra	Title:	C-RED 2_ER	
Unless otherwise specified : Dimensions are in millimeters	Traitement:	Protection:	Group:	Version ER	
	Materiel:	Weight: 0,99 kg	Draw no.:	FLI009-318-PE001	
First Light Imaging Europarc Sainte-Victoire Bat. 6 Route de Valbrillant, 13590 - France Tel: +33 (0)4 42 61 29 20 - Fax: +33 (0)4 42 61 29 21					A3
This document is the property of First Light Imaging. It cannot be used, reproduced or disclosed without the prior written permission of First Light Imaging.			Scale: 1:1		FEUILLE 1 SUR 4

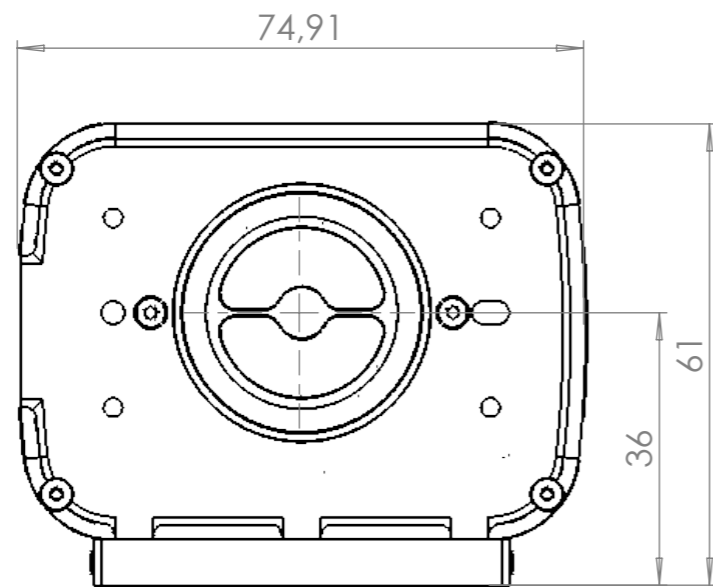


**Notes :**  
 Parallelism between focal plane and front panel : +/- 1,7°  
 Tolerance between optical axis and sensor's center : +/- 0.98mm

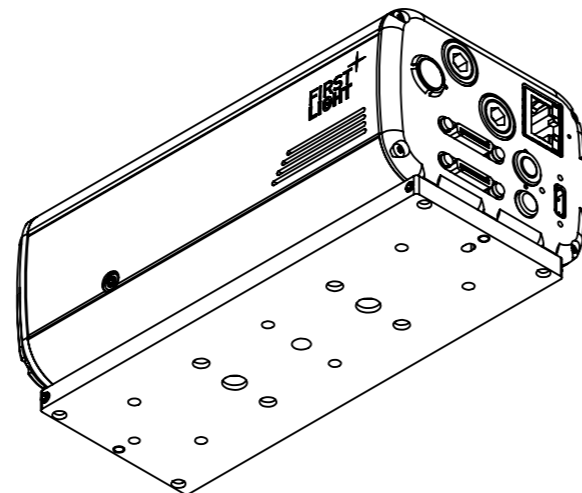
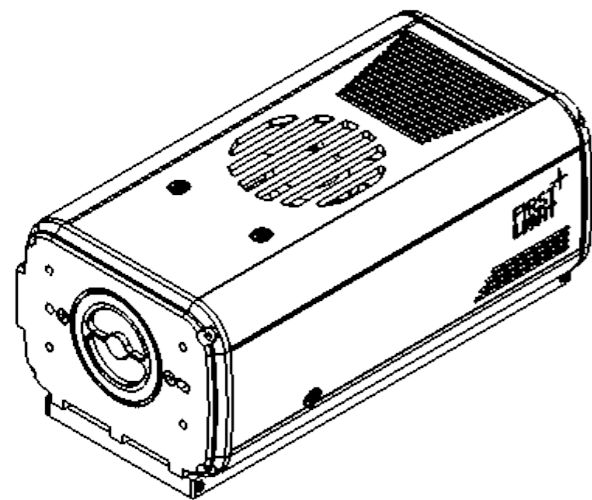
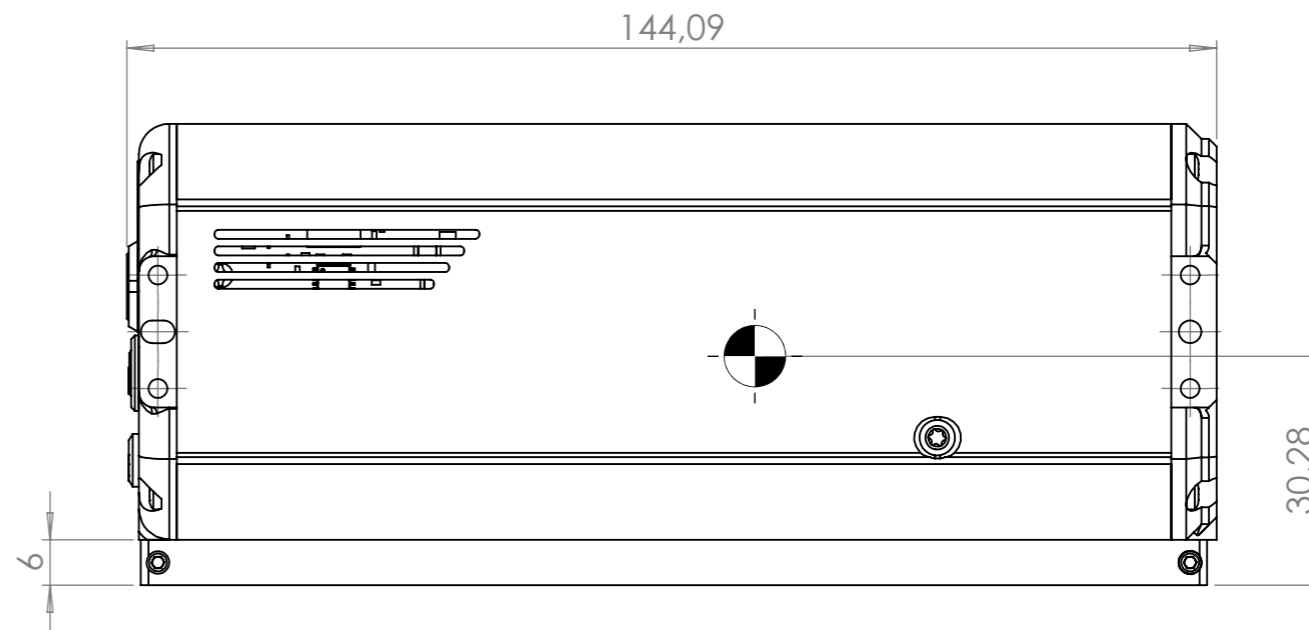
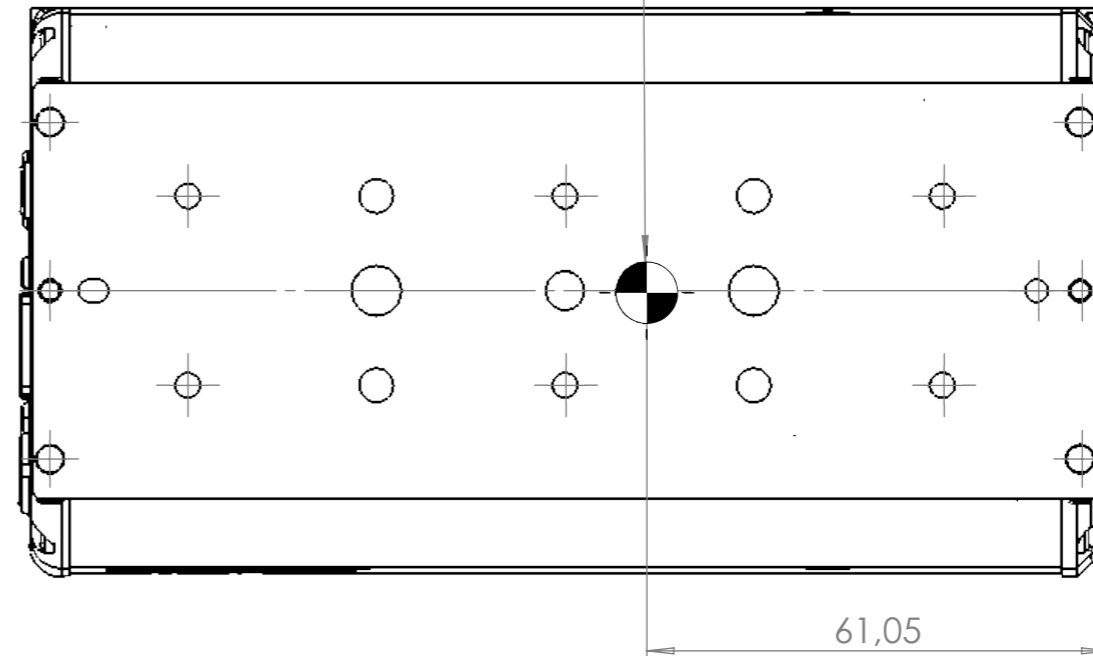
Optical glass properties				Drawn :	Tolérances :	Surface finish	Project:	
	<b>Thickness</b>	<b>Refractive index (@1,3 µm)</b>	<b>Material</b>	FCL	ISO-fh2768	∇ Ra	C-RED 2	
				<b>Unless otherwise specified : Dimensions are in millimeters</b>	Traitement:	Protection:	Title:	
					Matériel:	Weight: 0.99 kg	Group:	
<b>Detector's window</b>	0.43 mm	1.75	Optical grade Sapphire	<small>First Light Imaging            Europarc Sainte-Victoire            Bat. 6 Route de Valbrillant, 13590 - France            Tel : +33 (0)4 42 61 29 20 - Fax : +33 (0)4 42 61 29 21</small> This document is the property of First Light Imaging. It cannot be used, reproduced or disclosed without the prior written permission of First Light Imaging.			Draw no.	A3
<b>Camera's window</b>	1 mm	1.45	Heræus infrasil 302				Scale: 1:1	FEUILLE 2 SUR 4



Interface drawing with optional mounting plate

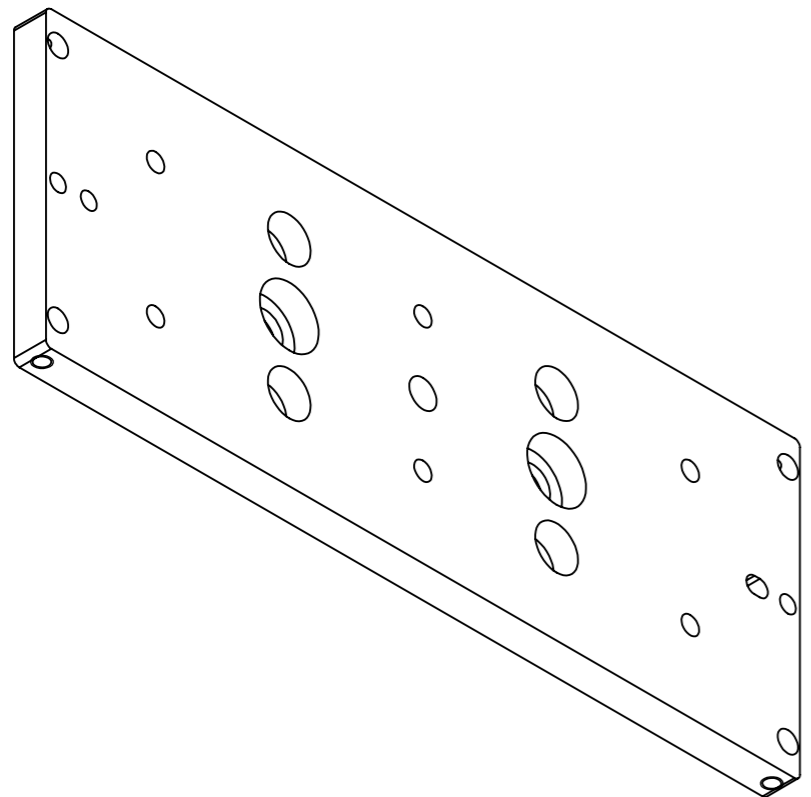
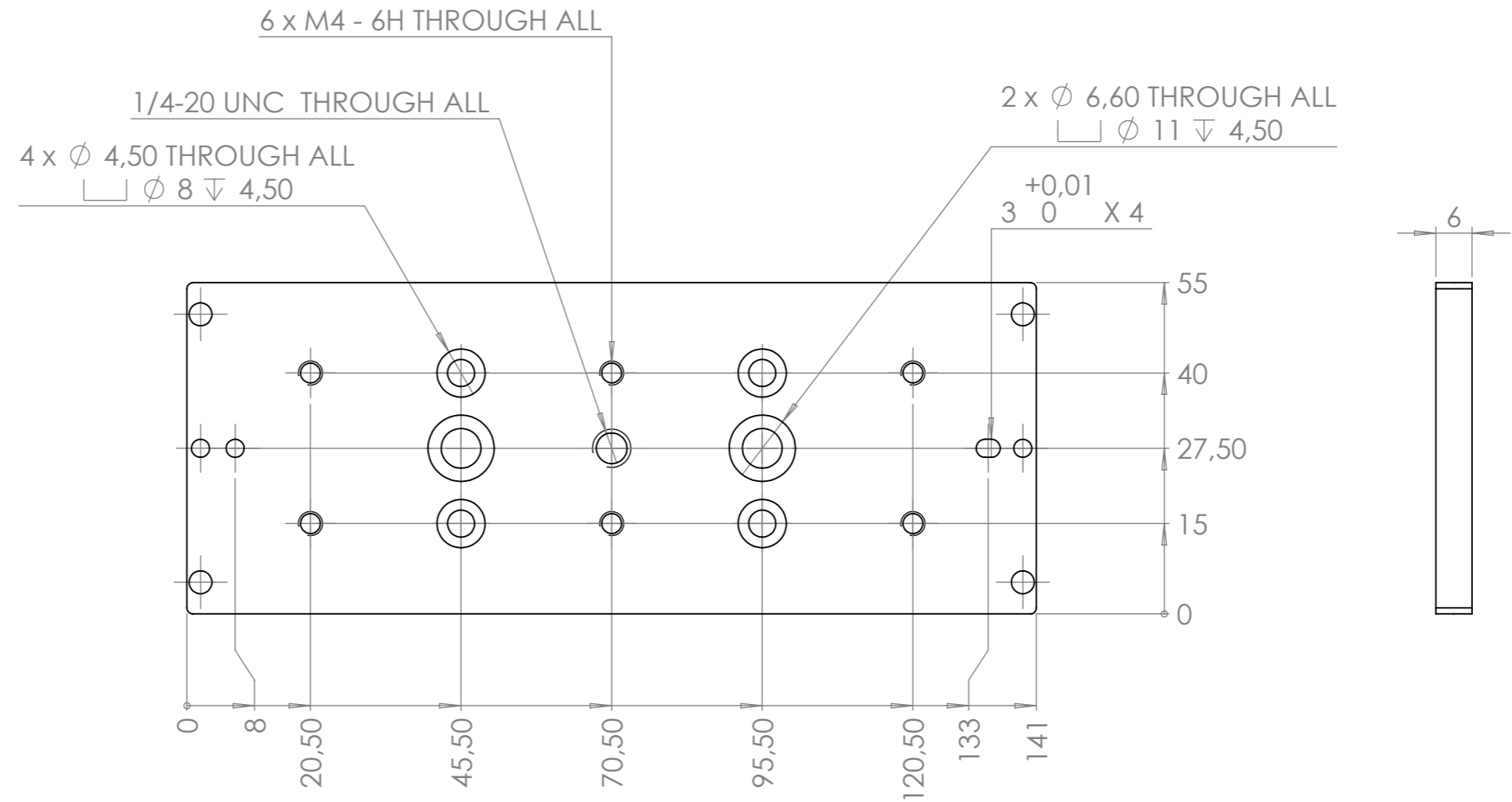


Centre of gravity (theoretical)



Drawn : FCL	Tolérances : ISO-fh2768	Surface finish √Ra	Project: C-RED 2
Unless otherwise specified : Dimensions are in millimeters	Traitement:	Protection:	Title: C-RED 2_ER
	Materiel:	Weight: 0,99 kg	Group: Version ER
First Light Imaging Europarc Sainte-Victoire Bat. 6 Route de Valbrillant, 13590 - France Tel : +33 (0)4 42 61 29 20 - Fax : +33 (0)4 42 61 29 21			Draw no. FLI009-318-PE001
This document is the property of First Light Imaging. It cannot be used, reproduced or disclosed without the prior written permission of First Light Imaging.			Scale: 1:1

Mounting plate interface drawing (Optional)



Drawn : FCL	Tolérances : ISO-fh2768	Surface finish $\sqrt{Ra}$	Project: C-RED 2
Unless otherwise specified : Dimensions are in millimeters	Traitement:	Protection:	Title: C-RED 2_ER
	Materiel:	Weight: 0,99 kg	Group: Version ER
First Light Imaging Europarc Sainte-Victoire Bat. 6 Route de Valbrillant, 13590 - France Tel : +33 (0)4 42 61 29 20 - Fax : +33 (0)4 42 61 29 21			Draw no. FLI009-318-PE001
This document is the property of First Light Imaging. It cannot be used, reproduced or disclosed without the prior written permission of First Light Imaging.			Scale: 1:1